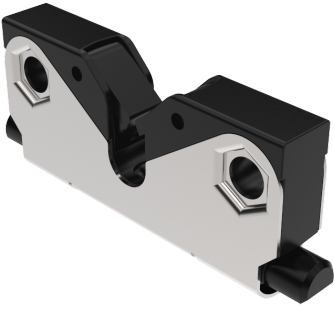


## SLAM CATCH FOR Ø 10 MM ROD



Heavy duty slam-action catch commonly used in applications like vehicle doors. The jaws of the catch only open to let the rod in. To remove the rod, it must be pulled up or down. Miniature brass rollers on the jaws ensures smooth removal of the rod.

For large vehicles, the catch can be delivered pre-mounted in the spring-loaded fixation plate, to compensate movement of panels and doors. This solution also prevents wear on the latching rod as the latching point easily flex in the application.



### MATERIAL

**Housing:** Stainless steel 304

**Jaw rollers:** Brass

**Jaws and housing:** Glass fibre reinforced polyamide (PA6GF30)

**Optional fixing plate:** Steel, zinc plated

**Optional threaded inserts male/female:** Steel, zinc plated

**Rod:** Steel, zinc plated

**Rod adapter:** Zinc, zinc plated

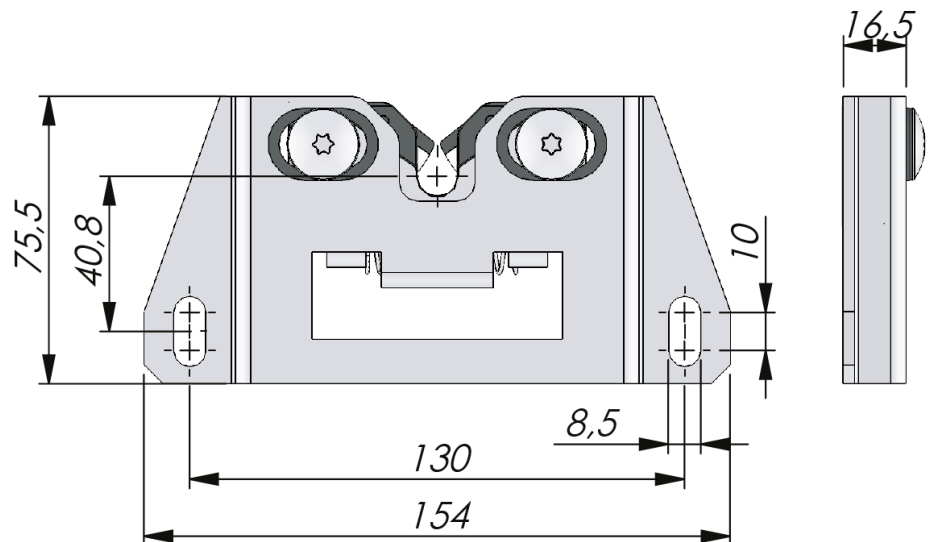
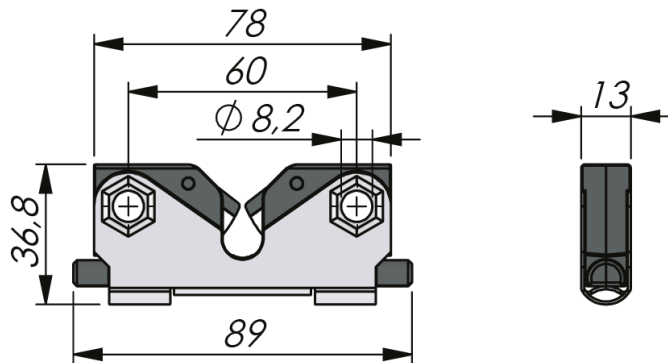
### RELATED PRODUCTS

**Cams:** 2-510

**Rod adapters:** 2-541

**Rods:** 2-770

Use the Index Code at [industrilas.com](http://industrilas.com)



P/N	Description	Drawing
282135	Slam catch with spring loaded fixation plate	B
282135-01	Slam catch - basic version	A

**Industrilas**  
— When access counts —